

PRODUCT SPECIFICATION

PRODUCT— 12VDC PIR Sensor MODEL NO— HD07VR-PH
DATE — 2022-05-12 PREPARED— 夏勇
CHECKED— _____ APPROVED— 周蒙

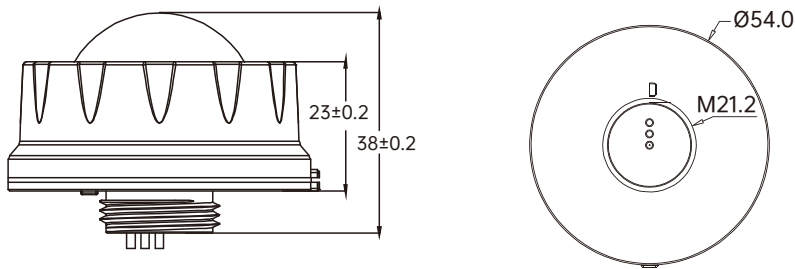
CUSTOMER RECEIVED

CUSTOMER— _____ MODEL NO— LCBLUECONTOL/LV/S/D10/HB
APPROVED— _____ DATE— _____

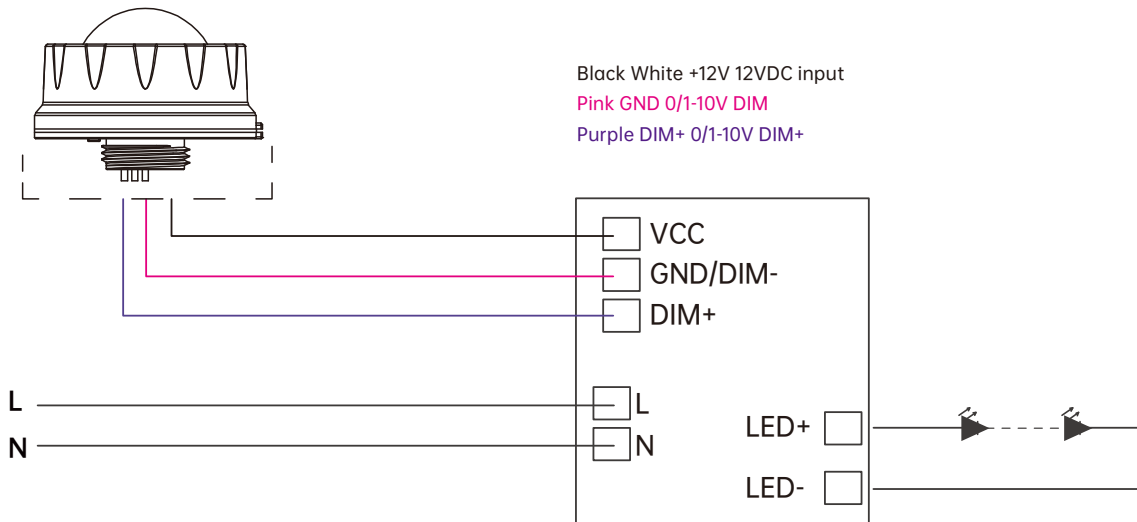


LCBLUECONTROL/LV/S/D10/HB

Dimensions Unit:mm



Wiring Diagram



Technical Data

Basic Information

Operating Voltage DC Input: 10.5-15V Current >50mA	Dimming Control ON/OFF 0-10V Dimmable	Operating Temperature -20°C ~ +70°C	IP Rating IP65	Warranty 5 years
--	--	--	-------------------	---------------------

Sensor Function

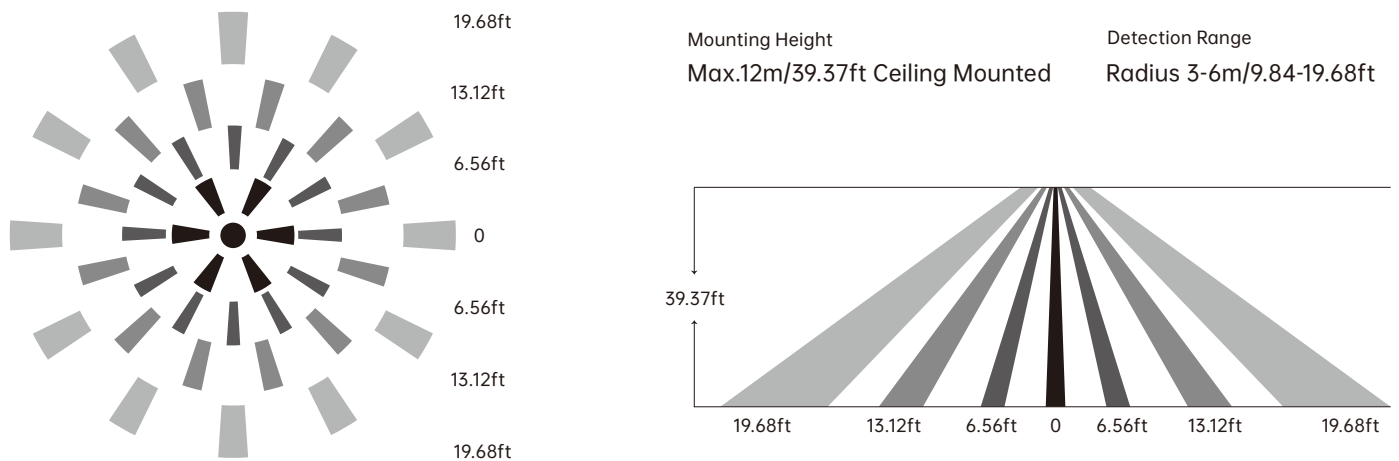
Sensitivity Setting 25%/50%/75%/100%	Holdtime 5s/30s/1min/3min/5min/10min/20min/30min
Standby Period 0s/10s/30s/1min/5min/10min/30min/60min/+∞	Standby Dimming 10%/20%/30%/50%
Daylight 2Lux/10Lux/30Lux/50Lux/80Lux/120Lux/Disable	

PIR Sensor

Operating Voltage DC10.5-15V >30mA	Detection Distance Radius 3-6m/9.84-19.68ft	Mounting Height Max 12m/39.37ft	Detection Angle <120° Fresnel Lens	Applications /
---------------------------------------	--	------------------------------------	---------------------------------------	-------------------

How to perform Daylight Priority
Daylight threshold is on 30Lux/50Lux/80Lux/120Lux; Standby period is +∞; Standby dimming level is on 10%/20%/30%.

Detection Patterns





Attention

1. Please read the instructions carefully before using this product and keep it well for all users to read at any time.
2. The sensor should be installed by qualified electrician and ensure power is off before the installation.
3. We reserve the right to modify any incorrect text, image and necessary technical parameters.
4. Any unauthorized modification is forbidden, otherwise all guarantees will be immediately invalid.

Installation precautions

1. Turn the power off at the circuit breaker before installing the sensor.
2. Do not allow bare wires to show.
3. Assemble any necessary mounting accessories.
4. Have the sensor's lens lower than edge of the fixture and keep the sensor away from heating part.

Application Environment

1. Do not mount it outdoor, in case the outdoor temperature disturbs it.
2. Do not have it at places with suddenly changed temperature or airflow.
3. Do not have shelves between sensor to the presence area.