



Simply Brilliant



High CRI



Dimmable



Product information

FEATURES

- 4FT and 8FT Wattage Selectable Strip Fixture
- 130LM/w Lumen Efficacy
- DLC Premium, cETL listed
- 0-10v dimmable
- Internal color selector switch to 3500K/4000K/5000K
- Row mounted to 8FT with strip connector kit
- 50,000 hour life
- Polycarbonate diffuse (frosted) lens
- Damp location rated
- Quick & easy installation and maintenance
- No tools required to open/close the fixture
- No flicker, mercury free, instant on
- 5-year warranty

APPLICATION

- Hallways
- Walkways
- Storage areas
- Utility rooms
- Common areas

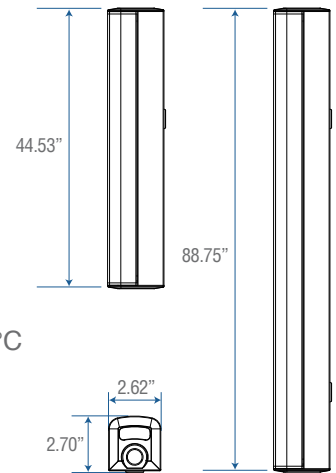
INSTALLATION

- Surface mount
- Ceiling/Cable Mount (optional)

ADDITIONAL INFO

- White housing
- Operating temperature -20°C ~+50°C
- Motion sensor (L2420-9170)
- Wireless remote (L5330-8400)
- Air craft cable (optional)
- Strip Connector Kit (L2420-9400)

DIAGRAM



ORDER CODE	MODEL NO.	DLC ID	DESCRIPTION	WATTS	VOLT	LUMENS	CCT(K)	CRI	THD	MOL (IN)	CASE QTY.
L2420-3300	ILX-VS3-435WSMV3CCT	S-7QWTA1	4' 35/28/20W STRIP FIXTURE 3CCT DIM WH	20		2600	3500K				
				28	120-347V	3640	4000K	83+	<20%	44.53x2.62x2.70	6
				35		4550	5000K				
L2420-3400	ILX-VS3-446WSMV3CCT	S-HQJY6L	4' 46/38/30W STRIP FIXTURE 3CCT DIM WH	30		3900	3500K				
				38	120-347V	4940	4000K	83+	<20%	44.53x2.62x2.70	6
				46		5980	5000K				
L2421-3300	ILX-VS3-890WSMV3CCT	S-S4KRKS	8' 90/75/65/55W STRIP FIXTURE 3CCT DIM WH	55		7150	3500K				
				65	120-347V	8450	4000K	83+	<20%	88.75x2.62x2.70	2
				75		9750	5000K				
				90		11700					

OPTIONAL ACCESSORIES

- L2420-9170 MOTION SENSOR (MICROWAVE)
- L2420-9400 CONNECTOR PLATE FOR ROW MOUNTING
- L2850-0002 60" AIR CRAFT SUSPENSION CABLE / PACK OF TWO (2)

ILLUMINEX TECHNOLOGIES INC.

Tel: 1-905-264-6670 Toll Free: 1-844-985-1590 Fax: 1-905-264-6671

Email: csr@illuminexled.com | Website: www.illuminexled.com

Head Office: 1-1 Keyes Court, Vaughan, ON L4H 4V6